

**INDIAN SCHOOL MUSCAT
PRIMARY SECTION**

SUBJECT : SCIENCE	NAME :
TOPIC : Reproduction in Animals	STD IV
LAB ACTIVITY : Lab Worksheet – No.3	SEC :
RESOURCE PERSON : Ms. Smitha Rajesh	ROLL NO :
TEACHER' S SIGNATURE :	DATE : ___ . ___ . 20 17

Aim

To understand, examine and study the internal parts of an egg.

Things needed

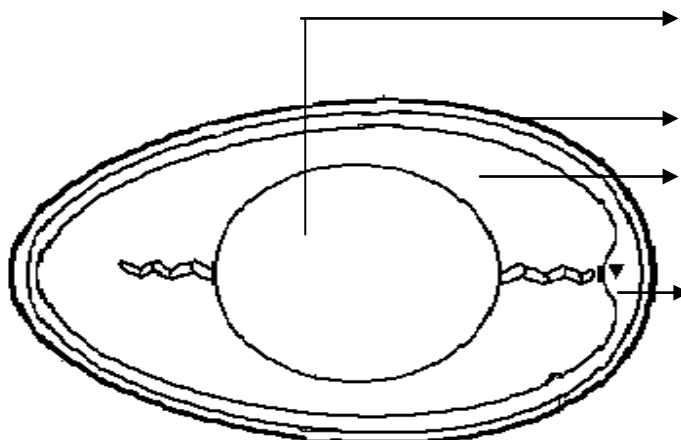
A container, a raw and a boiled egg.

Method

Take a container, break the raw egg and empty the contents. Deshell the other egg.

Observe the different parts of the egg.

Observation



Conclusion
